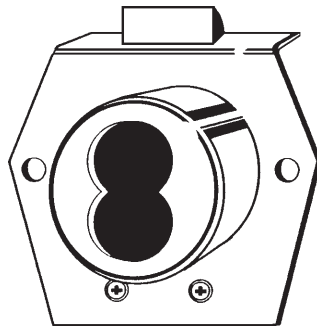


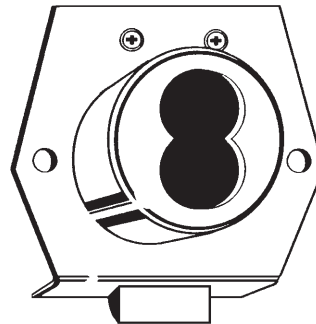
# 725 Series

## Handing Chart

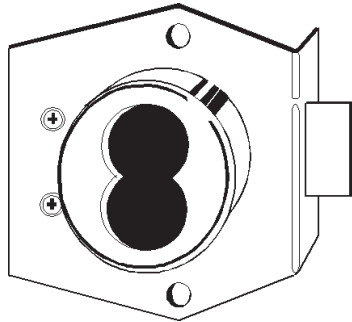
The following handing specifications apply to the 725 Rim, Mortise, Latch, and Deadbolt configurations.



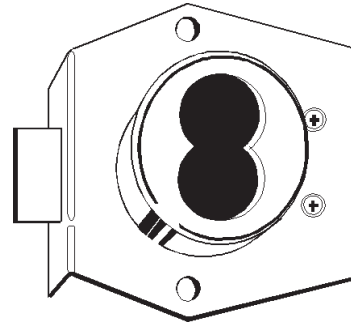
Drawer (VH)  
Vertical Hand




Drawer (IH)  
Inverted Hand



Door (LH)  
Left Hand



Door (RH)  
Right Hand

**OLYMPUS**   
**LOCK, INC.**

2720 N.E. 115th Street  
Seattle, WA 98125-5316  
Phone: 206-362-3290  
Toll-free: 800-525-0954  
Fax: 206-362-3569