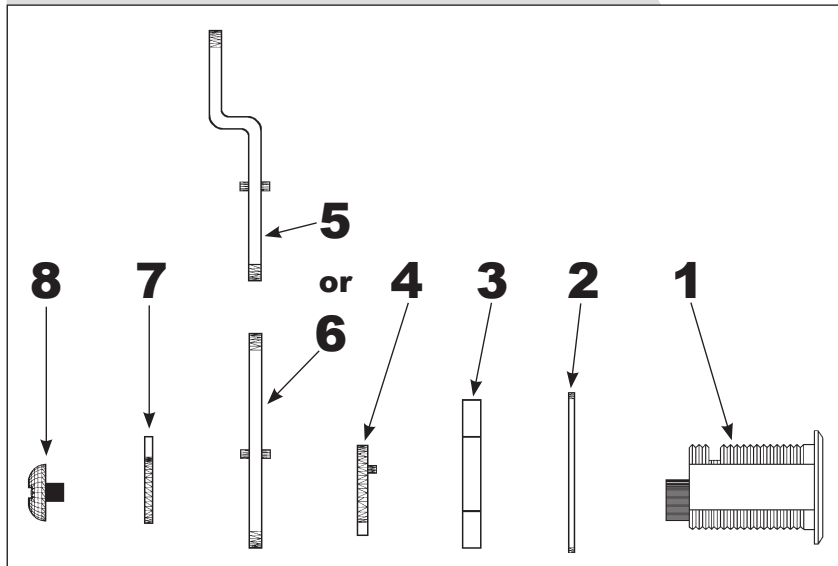


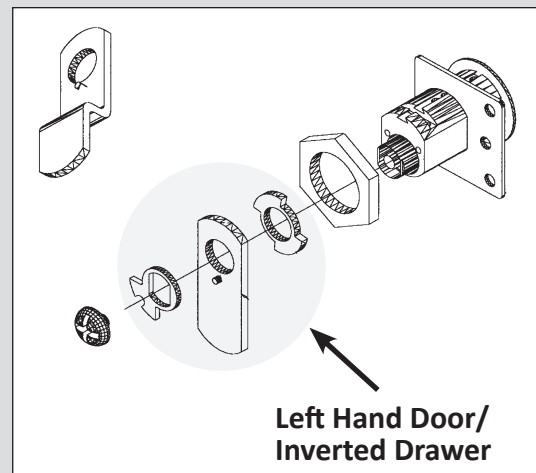
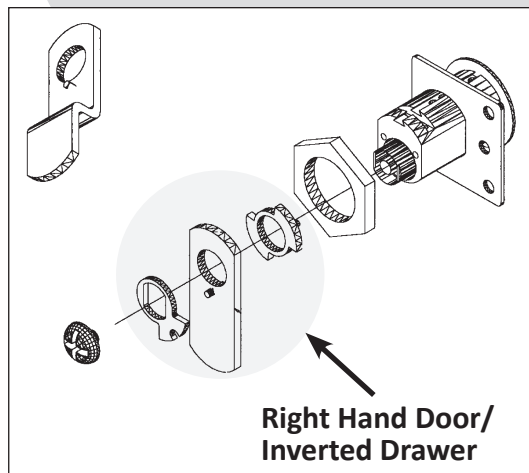
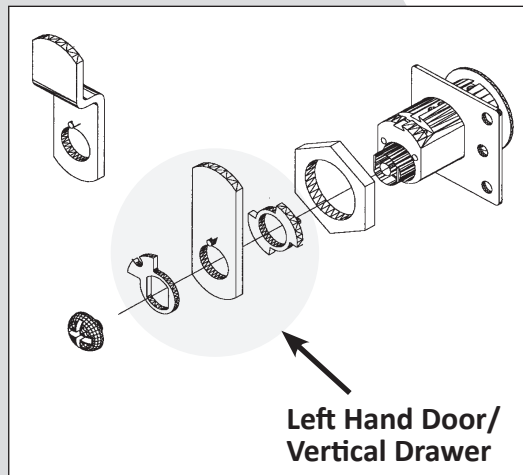
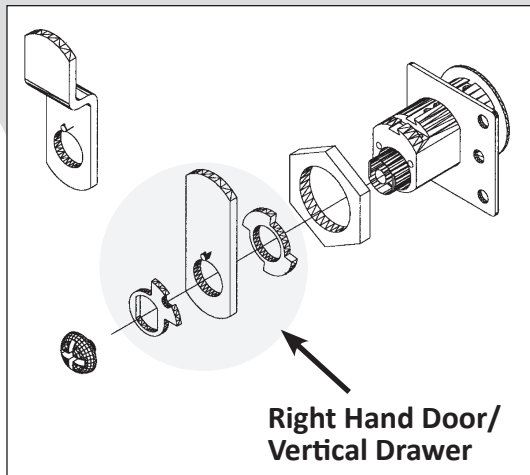
Installation Instructions

OLYMPUS DCN/DCR CAM LOCK



Instructions

1. Insert lock into 3/4" bore
2. Slide anti-rotation plate (2) onto back of lock
3. Thread fixing nut (3) onto lock
4. Fasten plate to cabinet using wood screws. *Note: Use middle hole to retain fixing nut*
5. Insert cam stop (4) with pin in "1" or "2" position (see back of lock)
6. Choose straight or bent cam (5 or 6). Bent cam works for inbent and outbent functions
7. Install cam driver (7) so that the brass pin on the cam is trapped when the key is removed
8. Install final assembly screw (8) and tighten

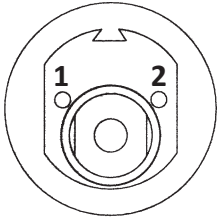


Installation Instructions

OLYMPUS DCN/DCR CAM LOCK



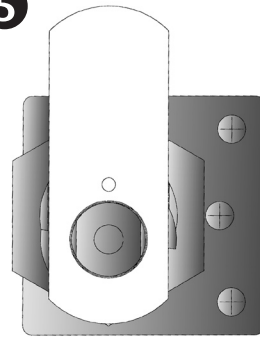
1



Prep cabinet

Note: 3/4" bore required
New 1" face on lock
eliminates the need for a
trim ring.

5

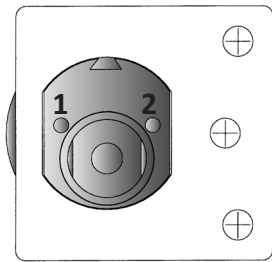


Choose cam from the
two cams provided—one
straight and one offset.

Offset cam provides both
inbent and outbent
functions.

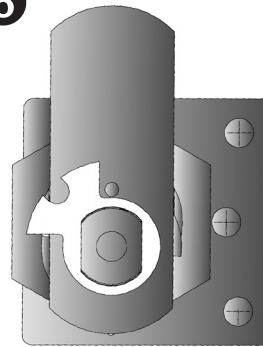
Place cam on lock in verti-
cal or inverted position,
depending on desired
locking position.

2



Insert lock in cabinet and
attach anti-rotation plate
using top and bottom
screws only.

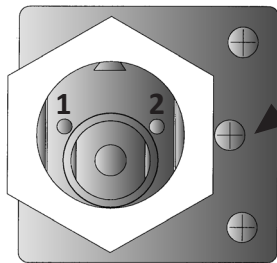
6



Install cam driver so that
brass pin on the cam is
trapped when the key is
removed.

Note: If the cam falls to
the unlocked position
when the key is removed,
reposition the cam driver.

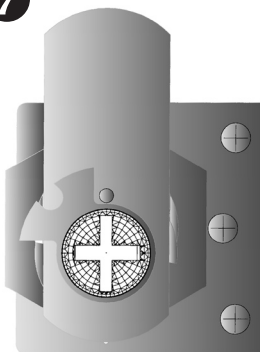
3



Add fixing nut

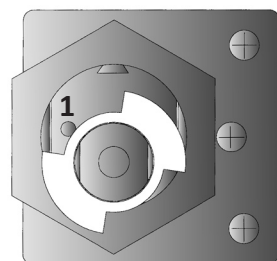
Note: The middle hole
on plate is for a retaining
screw that prevents the
fixing nut from coming
loose.

7



Install final assembly
screw and tighten.

4



Insert cam stop with pin
in "1" or "2" position (see
back of lock).

Note: The "1" position
is for right-hand vertical
and left-hand inverted
use. The "2" position is
for left-hand vertical and
right-hand inverted use.

