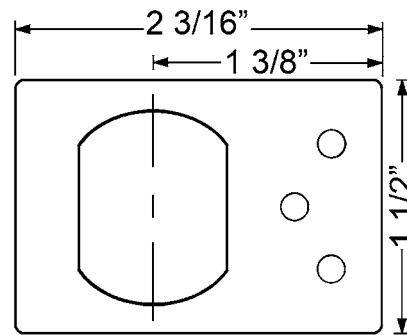
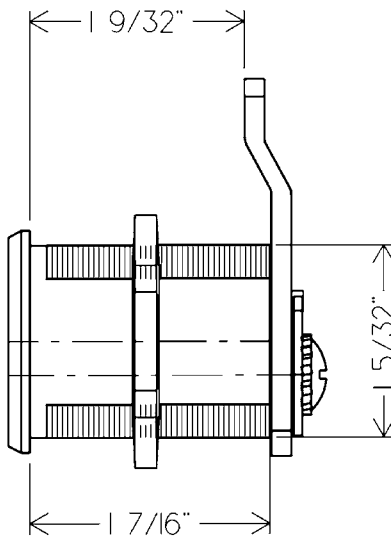
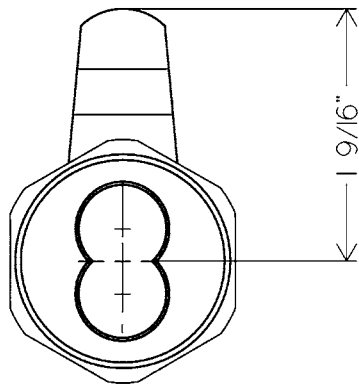
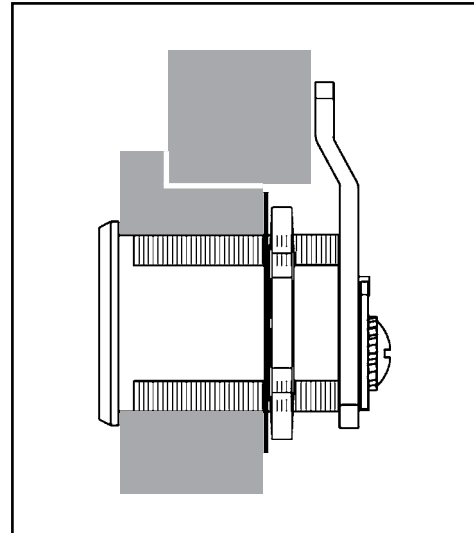
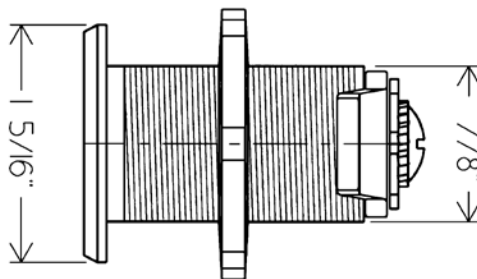


# 920LM/DM

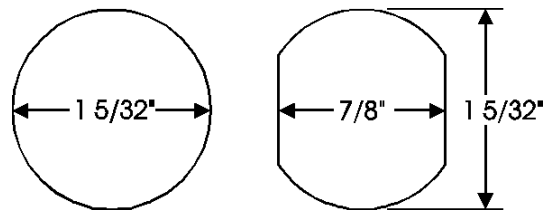
## Typical Installation



**Stabilizer Plate**



### Mounting cutout options



Lock diameter is 1-1/8". Drilled hole should be slightly larger.

Title <b>Installation instructions for 920LM/DM series cam lock</b>				
Series <b>920</b>	Barrel Length <b>1-7/16"</b>	Bolt type <b>Cam lock</b>	Mounting <b>Surface</b>	Revision Date <b>02/2010</b>

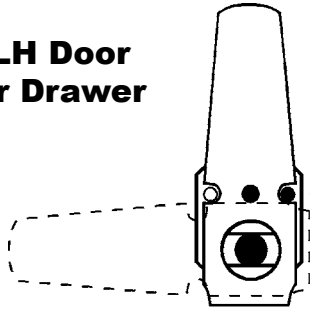


# 920LM/DM

Assembled with vertical long cam  
720-3-2 or extra long 3" cam 720-3-4

**IMPORTANT! If your cam has a brass pin between the two notched cut outs use these instructions, otherwise see page 3.**

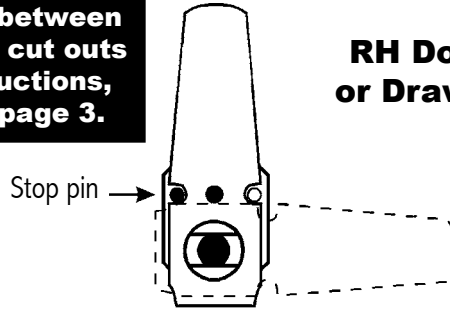
**LH Door or Drawer**



Key removable in locked or unlocked position.



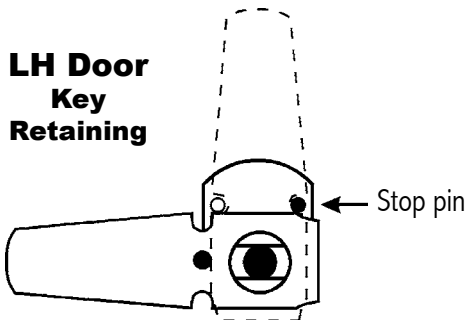
**RH Door or Drawer**



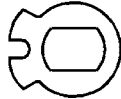
Key removable in locked or unlocked position.



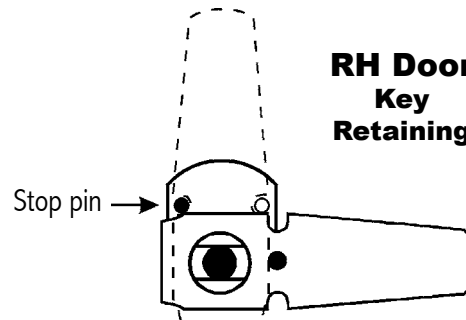
**LH Door Key Retaining**



Key removable in locked position only.



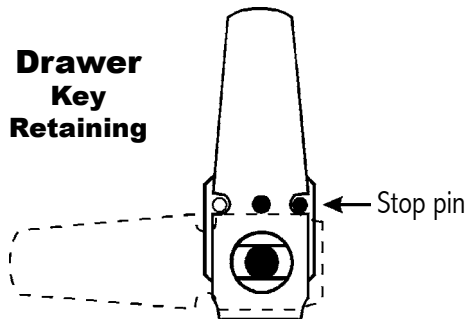
**RH Door Key Retaining**



Key removable in locked position only.



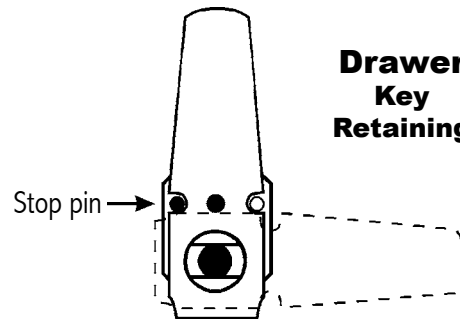
**Drawer Key Retaining**



Key removable in locked position only.



**Drawer Key Retaining**



Key removable in locked position only.

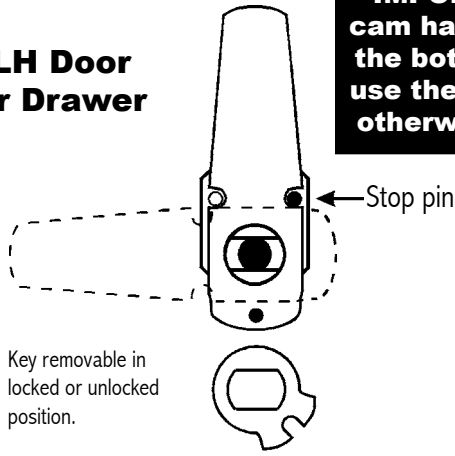


# 920LM/DM

Assembled with vertical long cam  
720-3-2 or extra long 3" cam 720-3-4

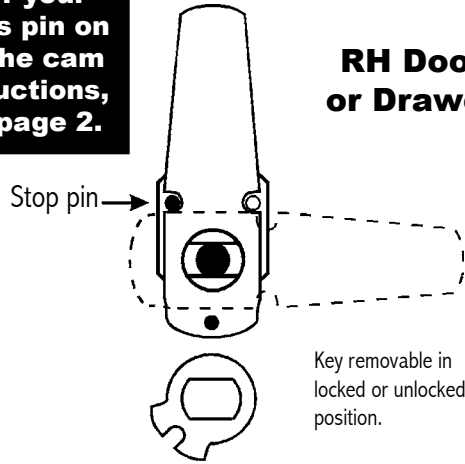
**IMPORTANT!** If your cam has a brass pin on the bottom of the cam use these instructions, otherwise see page 2.

**LH Door or Drawer**



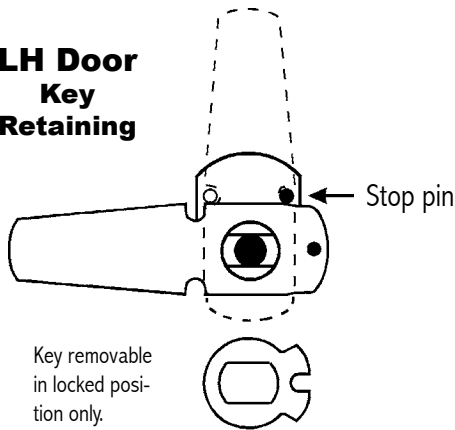
Key removable in locked or unlocked position.

**RH Door or Drawer**



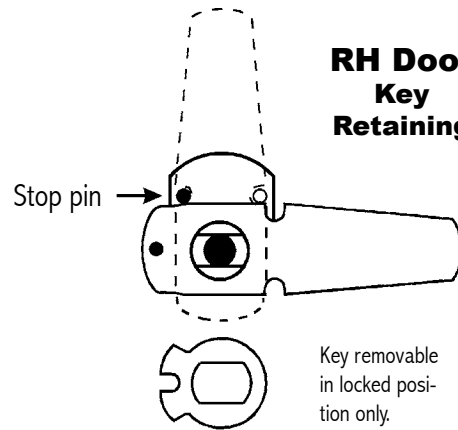
Key removable in locked or unlocked position.

**LH Door Key Retaining**



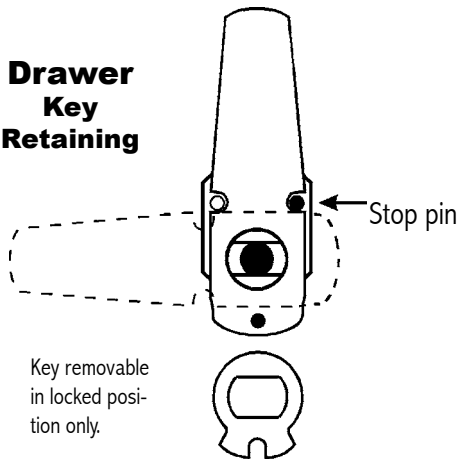
Key removable in locked position only.

**RH Door Key Retaining**



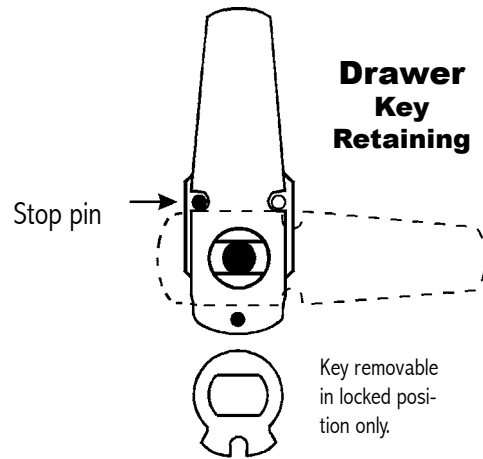
Key removable in locked position only.

**Drawer Key Retaining**



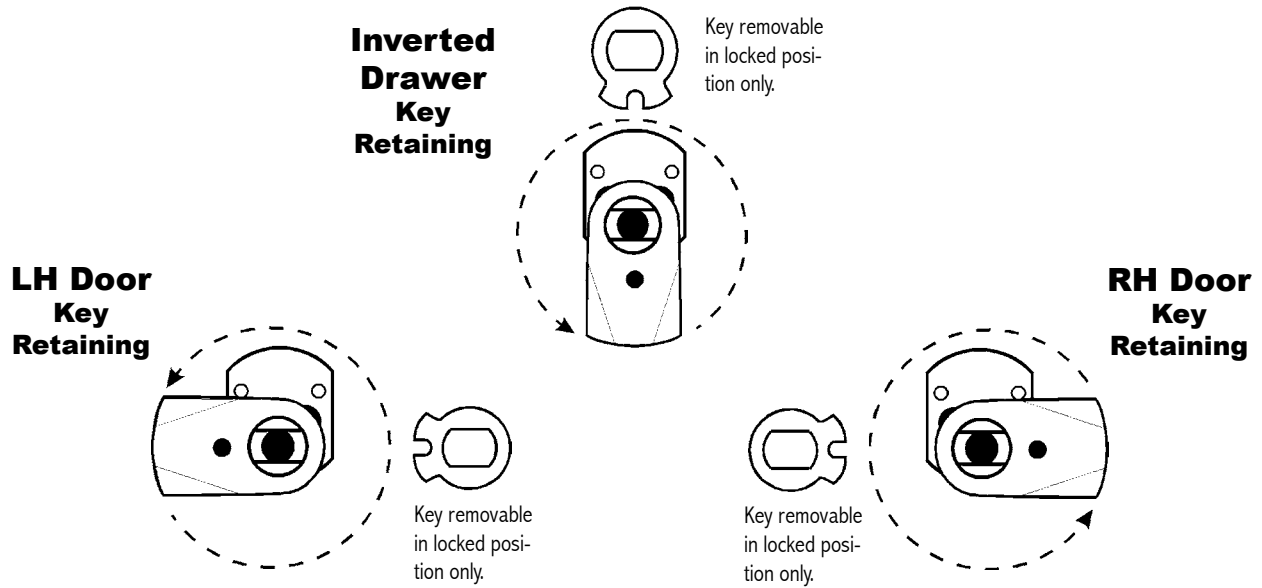
Key removable in locked position only.

**Drawer Key Retaining**



Key removable in locked position only.

# 920LM/DM Assembled with short cam 720-3-1



## Assembled with inverted long cam 720-3-3 or 720-3-5

