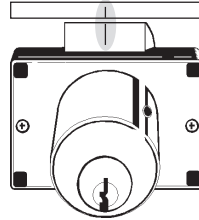


# Installation Instructions

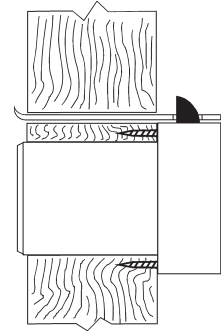
## L7080

### Typical Installation

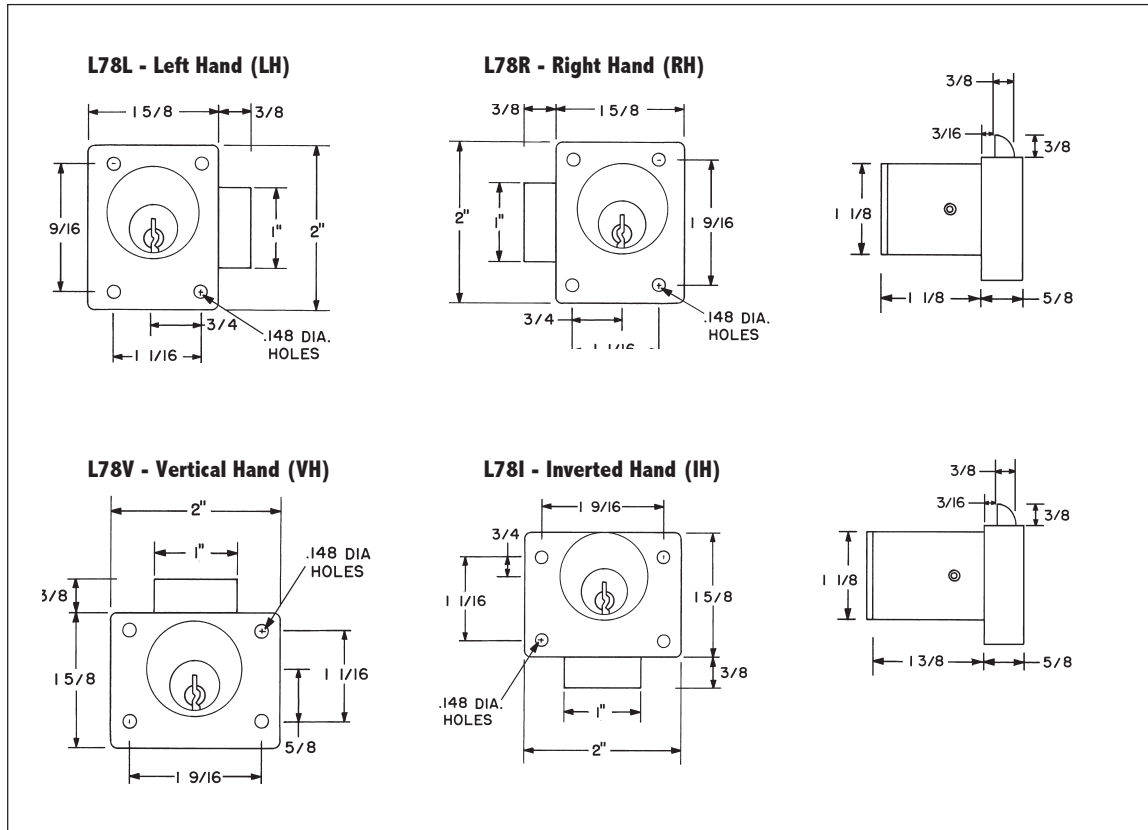
**IMPORTANT note for lock installation:** Be sure and position barrel/cylinder and bolt for desired handing *before* drilling hole for lock. The position of the barrel/cylinder relative to the lock body is different for each of the four available handings. It is critical to configure the lock for the correct handing before starting installation.



**Strike installation:** Line up center mark on latch with center mark on strike for correct strike placement.



### L7080 Latch Lock Dimensions



Title

Installation instructions for L7080 series cabinet door/drawer lock

Series

L7080

Barrel Length

1-1/8" or 1-3/8"

Bolt type

Latch

Mounting

Surface

Revision Date

06/2005

**OLYMPUS**  
**LOCK, INC.**