

# Installation Instructions

## T37

### Inserting bolt:

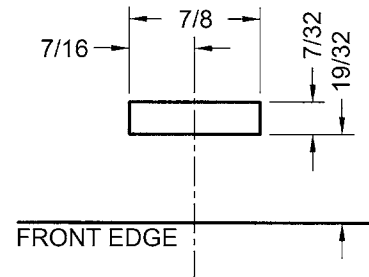
- Insert key and turn to 2:00 position.
- Insert bolt until spring snaps into place.

### Removing bolt:

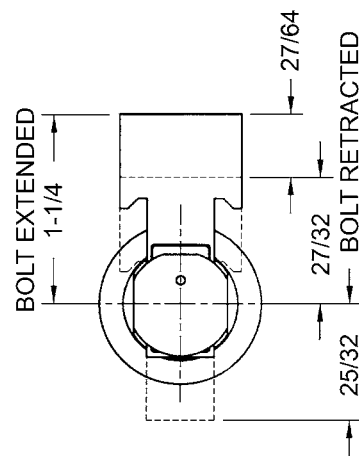
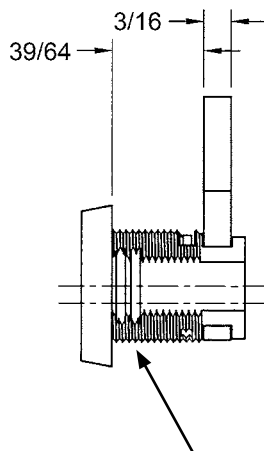
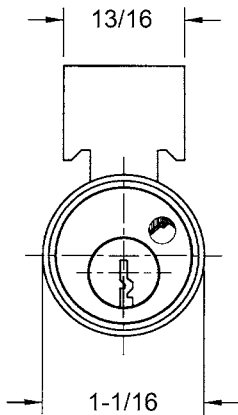
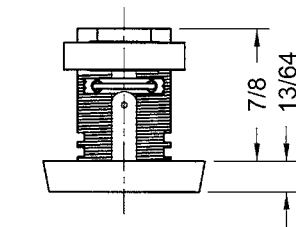
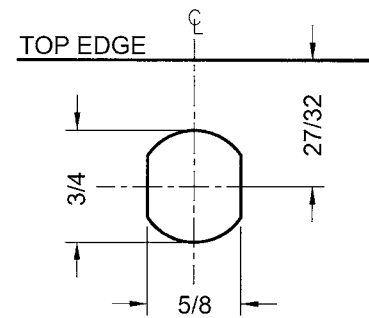
- Turn key to the 2:00 position, pull bolt up.
- Using a small tool, depress the bolt spring through the hole on the back of the lock and pull the bolt out.



### DRAWER DIMENSIONS



### MOUNTING HOLE DETAIL



Two slots are available for optional clip mounting. Use of spring clip allows lock to fit material thicknesses of 0" to 11/64". Clip is sold separately.

Title

Installation Instructions for T37 Series T-bolt Drawer Lock

Series

T37

Max Material

1/4"

Bolt type

T-bolt

Mounting

Surface

Revision Date

09/2007

**OLYMPUS**  
LOCK, INC.