

The perfect solution for your wood lockers . . .



INTRODUCING THE DCP500

NOW WITH BUILT-IN FINGER PULL



DCP500-US26D

New!



DCP500-US26

The DCP Series padlockable cam lock from Olympus Lock provides the versatility of a cam lock with the convenience of a padlock. This is the perfect product for school gym lockers, music lockers, health club lockers, hospital lockers, employee lockers or any installation where the user provides their own padlock. We offer three finishes and a wide selection of cam sizes to fit almost any application.



DCP-US26

See our complete line.



DCP-US19



DCP-US3



OLYMPUS
LOCK, INC.
The cabinet lock innovators.

800.525.0954 | www.olympus-lock.com



DCP / DCP500 SERIES

Padlockable Cam Lock



General Specifications

DCP / DCP500 Series

Function: Cam lock for use with padlock as locking device. Functions on doors or drawers. Ideal for locker applications.

Accepts: Padlocks with a shackle diameter of 3/8" (10 mm) or less.

Body: Zinc die cast

Through-hole: 0.4"

Maximum material thickness: 1-1/8"

Barrel diameter: 3/4"

Across flats: 5/8"

Finish: US26 (polished chrome) or US26D (satin chrome)

Packaged: Packed 10 per box

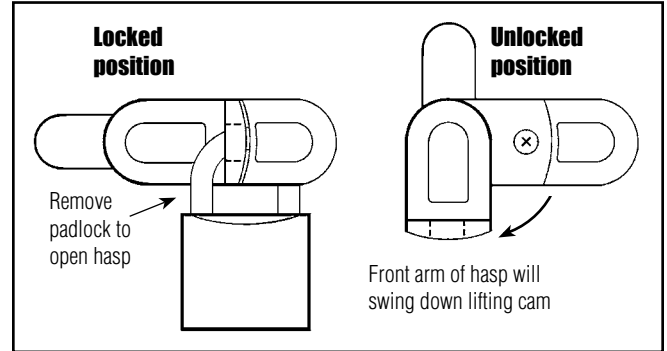
DCP Includes

DCNP-500-ARP anti-rotation plate
DCP-SC short straight cam, 7/8"
DCP-LC long straight cam, 1-1/4"
Spacer ring

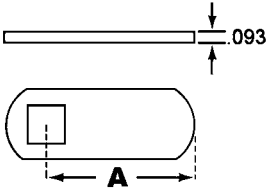
DCP500 Includes

DCNP-SPW spur washer
DCP-LC long straight cam, 1-1/4"
Mounting screws and nuts

Typical Door Configuration

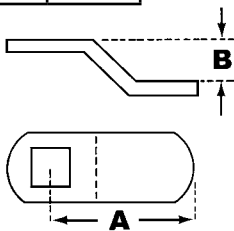


Available Cams:



Straight Cams:

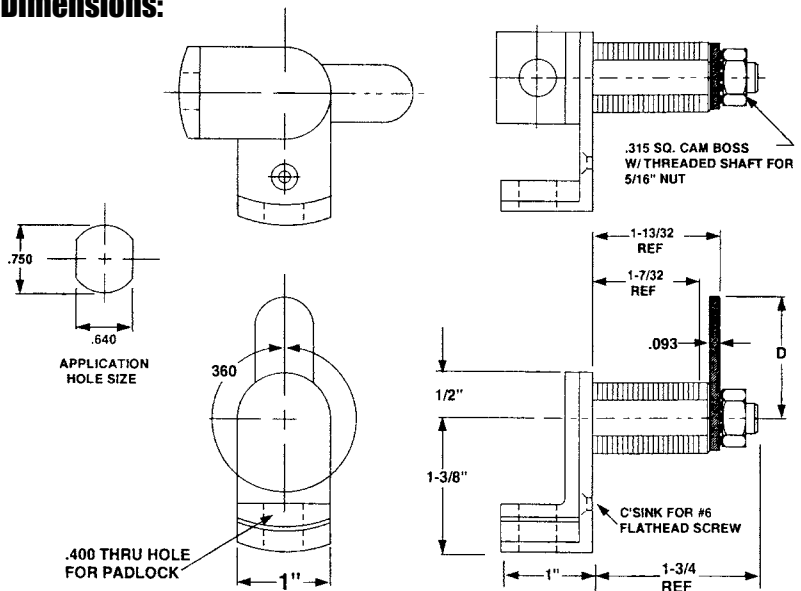
Part No.	Dim. A
DCP-58	5/8"
DCP-SC	7/8"
DCP-LC	1-1/4"
DCP-LC-112	1-1/2"
DCP-LC-134	1-3/4"
DCP-LC-225	2-1/4"
DCP-LC-250	2-1/2"



Offset Cams:

Part No.	Dim. A	Dim. B
DCP-1-14	1"	1/4"
DCP-LBC	1-1/4"	1/4"
DCP-118-18	1-1/8"	1/8"
DCP-LBC-138	1-3/8"	3/8"
DCP-LBC-178	1-7/8"	1/2"
DCP-112-14	1-1/2"	1/4"

DCP Dimensions:



DCP500 Dimensions:

