

Product

CRB Series Padlocks

Box Packed Brass Padlocks

Accept Corbin/Ruswin 6-pin IC Cores



Cylinder: *Not included, accepts Corbin/Ruswin 6-pin IC cores*

Body: *Solid extruded brass body*

Shackle: *Hardened steel shackle*

Part #	Shackle	Keyway
CRB200-IC6	Regular	Accepts Corbin/Ruswin I.C. Core
CRB200-IC6-LS	Long	Accepts Corbin/Ruswin I.C. Core

Data Sheet

CRB Series Padlocks

*Box Packed Brass Padlocks
Accept Corbin/Ruswin 6-pin IC Cores*



General Specifications

CRB Series Padlocks

Cylinder: Not included, accepts Corbin/Ruswin 6-pin IC cores

Material: Solid extruded brass body

Body size: 2" tall x 2" wide (40mm)

Shackle: Stainless steel shackle

Locking: Ball bearing locking heel & toe

Keying: Keyed different or keyed alike

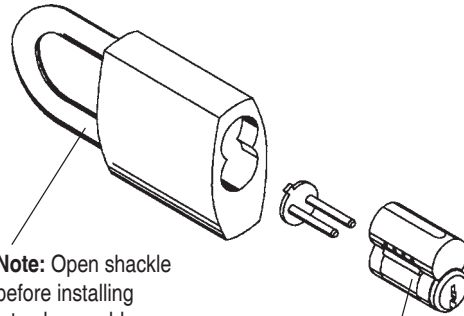
Function: All weather, indoor/outdoor

Finish: BHMA 606 Satin Brass (US4)

Shackle opening:

Regular shackle: 7/8" shackle opening
(25mm)

Long shackle: 2-5/8" shackle opening
(65mm)



Corbin/Ruswin I.C. Core
(not included)