

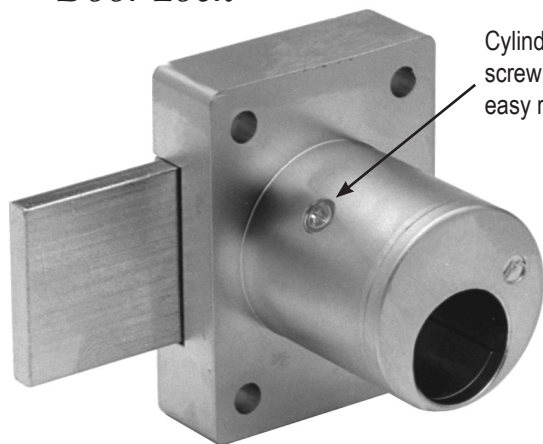
Product

700LC/800LC Series

**Less Cylinder Door & Drawer Cabinet Locks
for Schlage Style Key-in-Knob Cylinders*

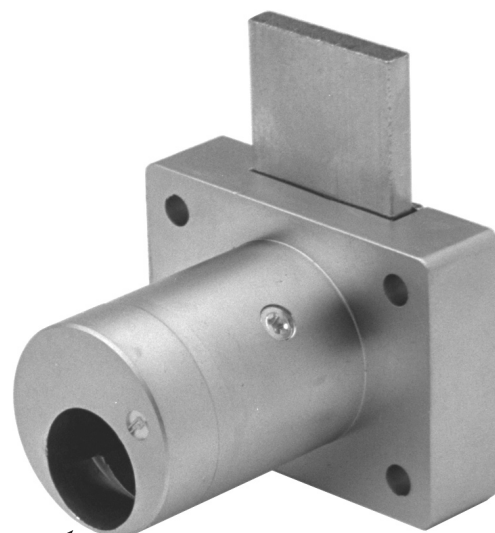
* Also available with Schlage C keyway—order 700S and 800S.

700LC Series Door Lock



Cylinder retaining screw for quick and easy rekeying

800LC Series Drawer Lock



Accepts Schlage-style key-in-knob cylinders

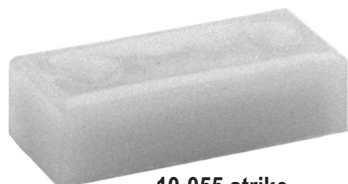
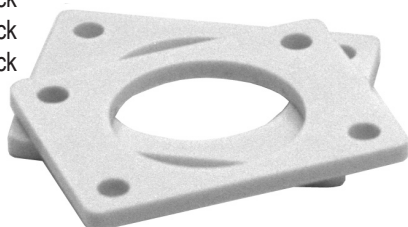
Internal spacers

For a flush fit on varying material thicknesses

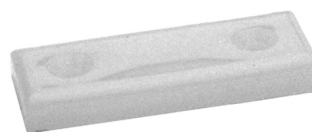
10-348 are 1/4" thick

10-349 are 1/2" thick

10-350 are 1/8" thick



10-055 strike
1/2" plastic bar strike



10-054 bar strike 1/4"
1/4" plastic bar strike

Data Sheet

700LC/800LC SERIES



Less Cylinder Door & Drawer Cabinet Locks for Schlage Compatible Key-in-Knob Cylinders

General Specifications

700LC Series Cabinet Door Lock

Rekeyable: Easily rekeyable via set-screw cylinder removal mechanism

Certifications: ANSI A156.11, grade 2

Body: Zinc die cast

Bolt: Brass, 15/16" projection

Door thickness: 7/8" to 1-3/8"

Barrel diameter: 1-1/8"

Finish: US26D (satin chrome) or US3 (bright brass)

Includes: All parts necessary to work with other manufacturers cylinders

Accepts Assa cylinder: #65611

Accepts Medeco cylinders:

Original: 6 pin #20-009S4
5 pin #20-008S4

Biaxial: 6 pin #20W009S4
5 pin #20W008S4

Keymark: 6 pin #20K009S4

Key retaining: #20W200S1

800LC Series Cabinet Drawer Lock

Rekeyable: Easily rekeyable via set-screw cylinder removal mechanism

Certifications: ANSI A156.11, grade 2

Body: Zinc die cast

Bolt: Brass, 7/8" projection

Door thickness: 7/8" to 1-3/8"

Barrel diameter: 1-1/8"

Finish: US26D (satin chrome) or US3 (bright brass)

Includes: All parts necessary to work with other manufacturers cylinders

Accepts Assa cylinder: #65611

Accepts Medeco cylinders:

Original: 6 pin #20-009S4
5 pin #20-008S4

Biaxial: 6 pin #20W009S4
5 pin #20W008S4

Keymark: 6 pin #20K009S4

Key retaining: #20W200S1

Accessories

1-1/8" barrel length lock includes:

- 10-350 plastic spacers (2)
- 10-054 1/4" plastic bar strike (1)
- 10-055 1/2" plastic bar strike (1)

1-3/8" barrel length lock includes:

- 1 #10-054 1/4" plastic bar strike

Available separately:

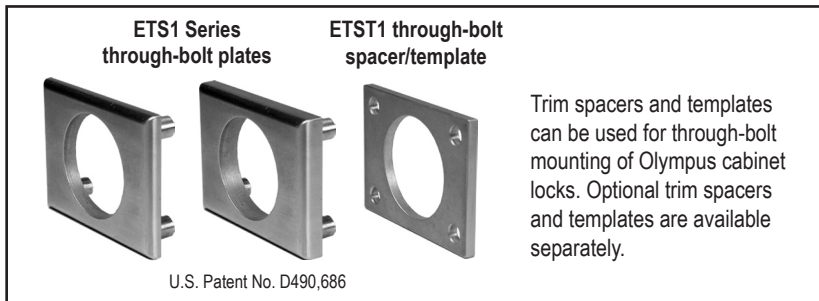
- 10-052 slotted strike
- 10-348 plastic spacers 1/4" thick
- 10-349 plastic spacers 1/2" thick
- 10-350 plastic spacers
- ETS1 - Reinforcing trim spacer
- ETST1 - Reinforcing trim spacer template

Reinforcing trim spacer (optional)

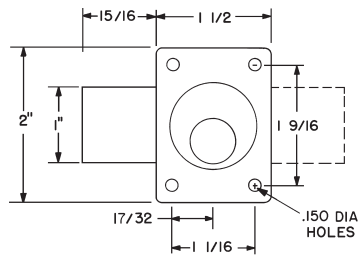
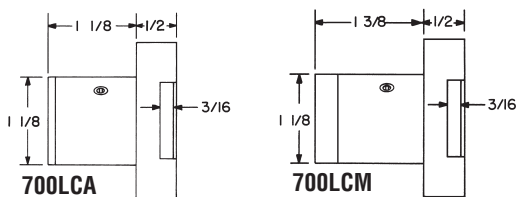
- External metal 1/4" trim spacer allows for an attractive flush mounting of the cabinet lock face
- Increases security of installation through reinforcement of cabinet face and direct connection of lock mounting screws to External Trim Spacer's binder posts
- Available in US3 and US26D finishes
- Includes mounting screws

Reinforcing for external trim spacer (optional)

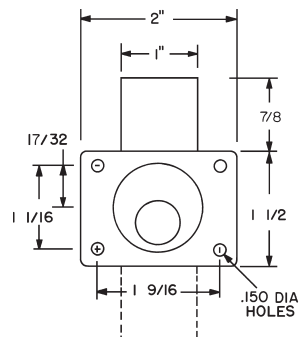
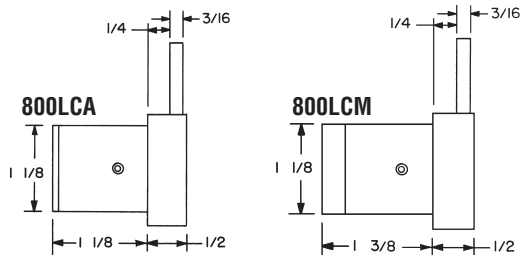
- Allows for proper mounting hole placement of External Trim Spacer
- Can be used as a 1/8" shim spacer
- Available in US3 and US26D finishes



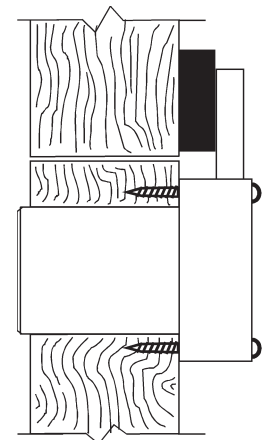
700 Series Dimensions



800 Series Dimensions



Typical Installation



700LC - top view
800LC - side view