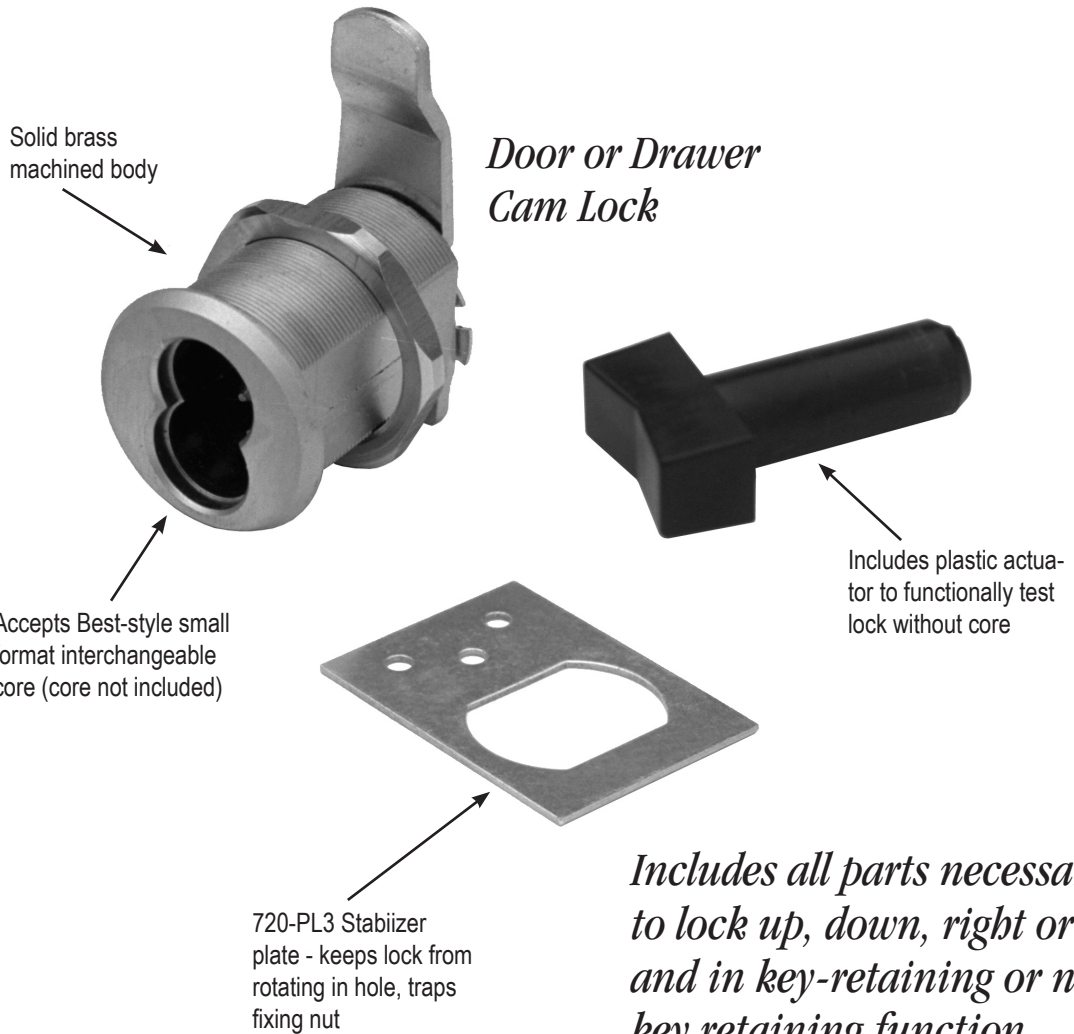


Product

720B Series

*Small Format IC Core
Cam Lock*



Includes all parts necessary to lock up, down, right or left and in key-retaining or non-key retaining function.

720B SERIES

Small Format IC Core Cam Lock



General Specifications

720B Series Cam Lock

Body: Machined Brass

Certifications: Passed ANSI/BHMA A156.11 Grade 1

Body diameter: 1-1/8"

Mounting cutout: 1-5/32"

Max. material thickness: 1-1/8"

Min. material thickness: 0.08"

Across flats: 7/8"

Finish: US26D (satin chrome)

Cylinder: not included, accepts standard small format IC cores as manufactured by Best, Arrow, Falcon, Schlage or other compatible small format IC manufacturers

Keying: n/a

Accessories

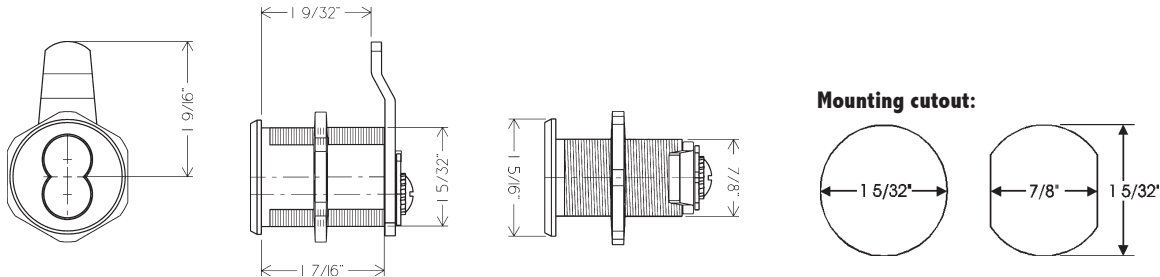
Includes:

- Plastic actuator
- 720-PL3 stabilizer plate
- 720-3-1 short inverted cam
- 720-3-2 long vertical cam
- 720-CDLM lost motion cam shifter
- 720-CDDM key-retaining door cam shifter
- 720-KR key-retaining drawer cam shifter

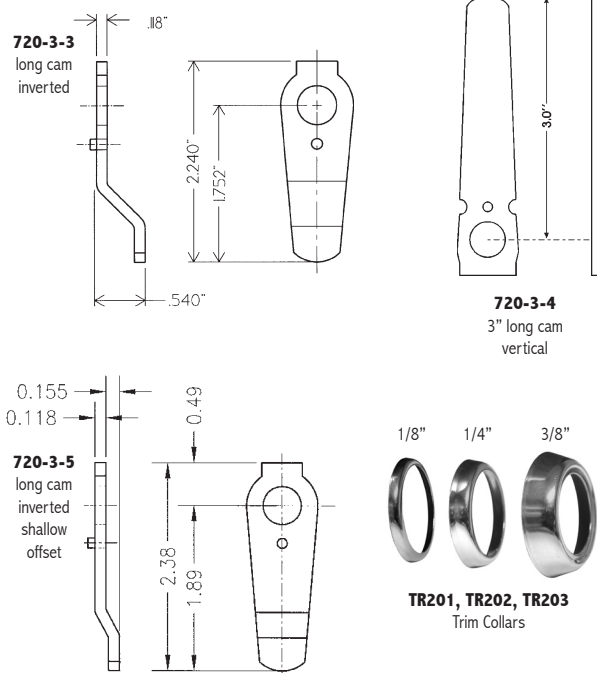
Available separately:

- 720-3-3 long offset cam for inverted function
- 720-3-4 extra long 3" straight vertical cam
- 720-3-5 long shallow offset cam for inverted function
- TR201 trim collar 1/8"
- TR202 trim collar 1/4"
- TR203 trim collar 3/8"
- TR200A trim collar package (contains TR201, TR202, and TR203)

720B Series Dimensions



Available separately:



Ships standard with the following cams and cam shifters:

