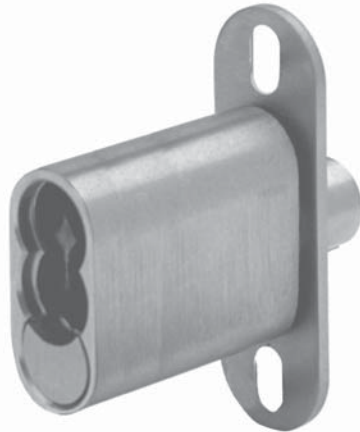


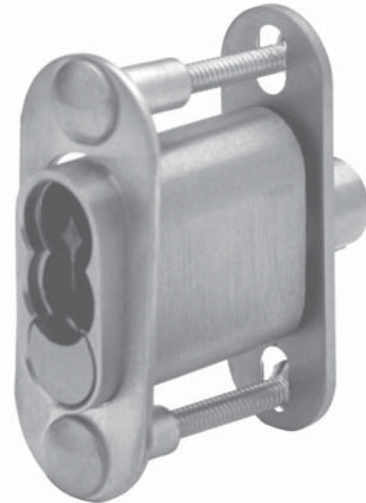
# Product

## 722S Series

*Small Format IC Core  
Sliding Door Lock*



*722S  
Sliding Door Lock*



*722S-TBM  
Sliding Door Lock,  
Through-bolt Mount*



Includes plastic actuator to functionally test lock without core

- *722S Series lock bodies accept Best-style small format interchangeable cores*
- *722S and 722S-TBM also available with key-retaining function*
- *Core not included*

# 722S SERIES

## Small Format IC Core Sliding Door Lock



### General Specifications

#### 722S Sliding Door Lock

**Body:** Zinc die cast

**Body width:** 7/8"

**Body height:** 1-1/2"

**Max. material thickness:** 1-3/4"

**Compatibility:** Retrofits Best 2S Series

**Finish:** US26 (polished chrome), US26D (satin chrome), US4 (satin brass)

**Includes:** Matching strike, plastic actuator

**Cylinder:** not included, accepts standard small format format IC cores as manufactured by Best, Arrow, Falcon, Schlage or other compatible small format IC core manufacturers

**Keying:** n/a

#### 722S-TBM Sliding Door Lock

**Body:** Zinc die cast

**Body width:** 7/8"

**Body height:** 1-1/2"

**Max. material thickness:** 1-5/8"

**Compatibility:** Retrofits Best 2S Series

**Finish:** US26 (polished chrome), US26D (satin chrome), US4 (satin brass)

**Includes:** Matching strike, plastic actuator, through-bolt mounting plate and screws

**Cylinder:** not included, accepts standard small format format IC cores as manufactured by Best, Arrow, Falcon, Schlage or other compatible small format IC core manufacturers

**Keying:** n/a

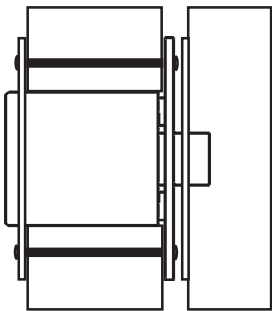
#### Additional Functions

**722S-KR:** 722S with key-retaining function

**722S-TBM-KR:** 722S-TBM with key retaining function.

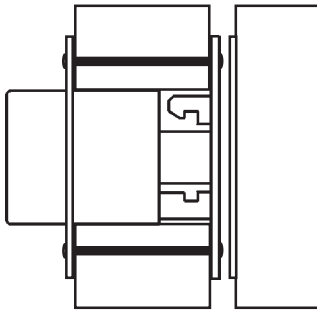
**Key retaining:** key removable in locked position only.

**722S-TBM Locked**



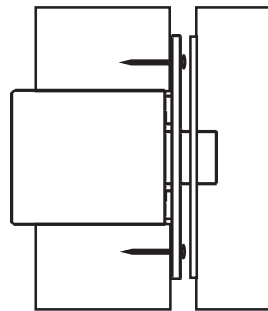
Through-bolt mount

**722S-TBM Unlocked**

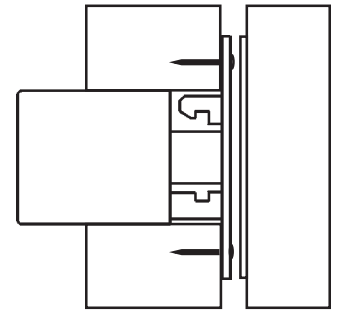


Through-bolt mount

**722S Locked**



**722S Unlocked**



### 722S / 722S-TBM Series Dimensions

