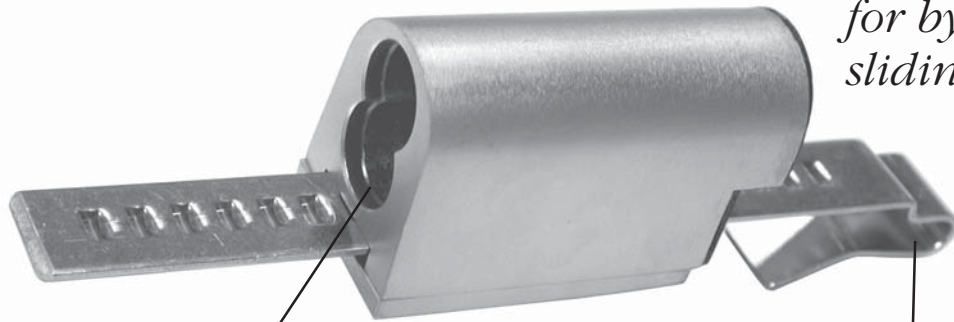


# Product

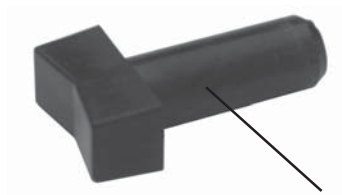
## 729R Series

*Small Format IC Core  
Ratchet Lock*



*Ratchet lock  
for bypassing  
sliding doors*

Accepts Best-style small  
format interchangeable  
core (core not included)



Includes plastic  
actuator to functionally  
test lock without core

*Ships standard with strap for  
1/4" material thickness. Optional  
straps for 3/8" or 5/8" material  
thicknesses available.*

# 729R SERIES

## Small Format IC Core Ratchet Lock



### General Specifications

#### 729R Series Ratchet Lock

Body: Zinc die cast

Body diameter: 1-1/8"

Max. door material thickness: 1/4"

Finish: US26D (satin chrome)

Cylinder: Not included, accepts standard small format IC cores as manufactured by Best, Arrow, Falcon or other compatible small format IC manufacturers

Keying: n/a

#### Accessories

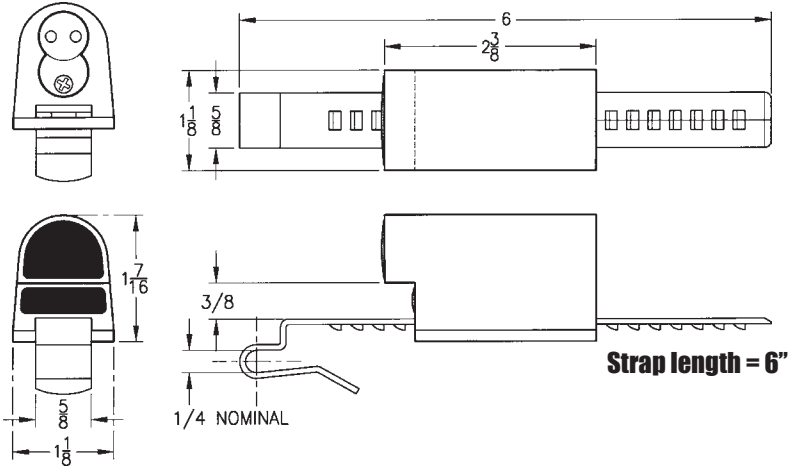
Includes:

- 725-PA plastic actuator
- 729RS-1 strap for 1/4" door material thickness

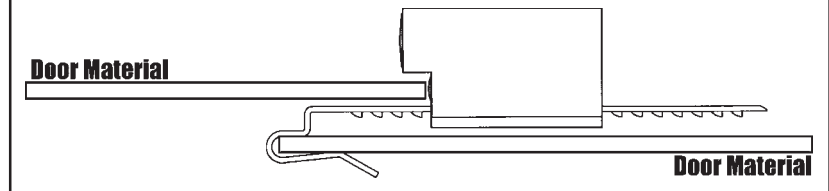
Available separately:

- 729RS-2 strap for 3/8" door material thickness
- 729RS-3 adjustable strap for maximum 5/8", minimum 3/8" panel thickness

#### 729R Series Dimensions

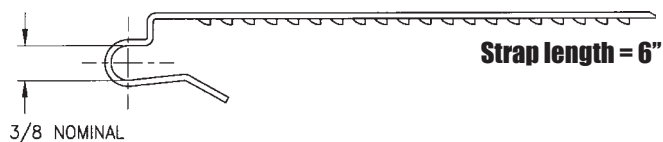


#### 729R typical installation:



#### Alternate Strap Dimensions

729RS-2 strap for 3/8" material. Available separately.



729RS-3 adjustable strap for 3/8" to 5/8" material. Available separately.

