

# Product

## 920LM/DM Series

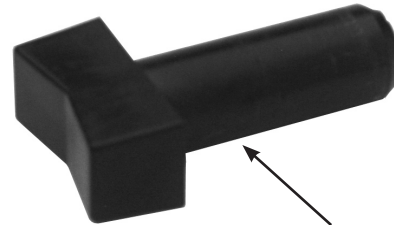
*Schlage Large Format IC Core  
Cam Lock*

Data Sheet

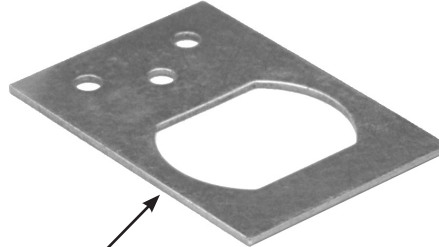


*Door or Drawer  
Cam Lock*

Accepts Schlage large  
format interchangeable core  
(core not included)



Includes plastic actuator  
to functionally test lock  
without core



**720-PL3** Stabiizer  
plate - keeps lock from  
rotating in hole, traps  
fixing nut

*Includes all parts necessary to  
lock up, down, right or left and  
with key-retaining or non-key  
retaining function.*

# 920LM/DM SERIES

## Schlage Large Format IC Core Cam Lock



### General Specifications

#### 920LM/DM Series Cam Lock

**Body:** Zinc die cast

**Body diameter:** 1-1/8"

**Mounting cutout:** 1-5/32"

**Max. material thickness:** 1-1/8"

**Min. material thickness:** 0.08"

**Across flats:** 7/8"

**Finish:** US26D (satin chrome), US3 (bright brass)

**Cylinder:** not included, accepts Schlage large format IC cores

**Keying:** n/a

#### Accessories

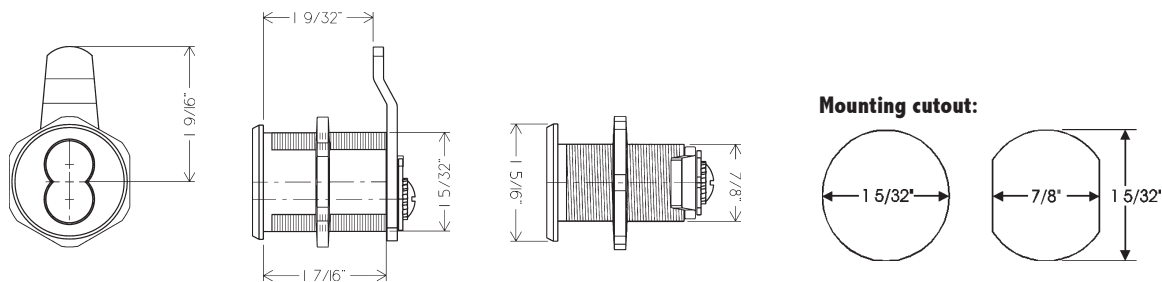
**Includes:**

- Plastic actuator
- 720-PL3 stabilizer plate
- 720-3-1 short inverted cam
- 720-3-2 long vertical cam
- 720-CDLM lost motion cam shifter
- 720-CDDM key-retaining door cam shifter
- 720-KR key-retaining drawer cam shifter

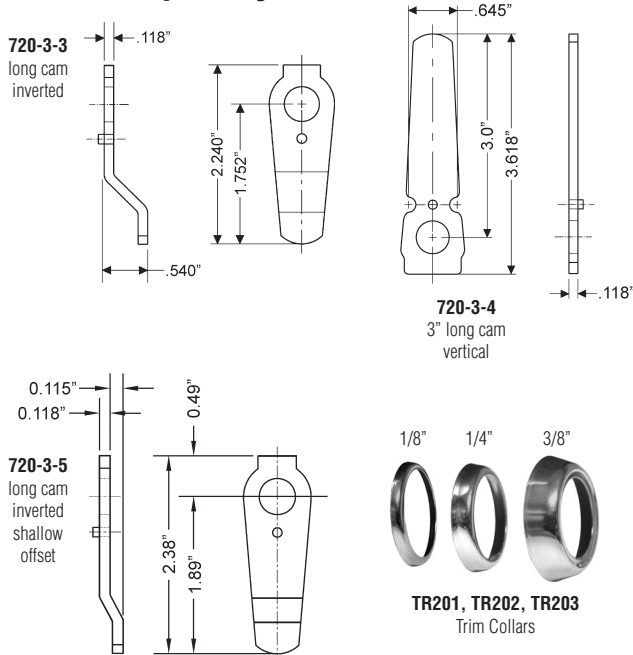
**Available separately:**

- 720-3-3 long offset cam for inverted function
- 720-3-4 extra long 3" straight vertical cam
- 720-3-5 long shallow offset cam for inverted function
- TR201 trim collar 1/8"
- TR202 trim collar 1/4"
- TR203 trim collar 3/8"
- TR200A trim collar package (contains TR201, TR202, and TR203)

### 920LM/DM Series Dimensions



#### Available separately:



#### Ships standard with the following cams and cam shifters:

