

Product

ETS/ETST Series

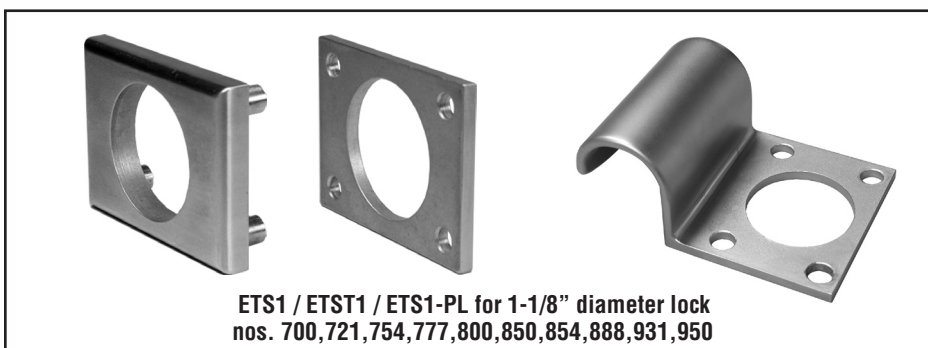
Exterior Through-Bolt Mounting Plates for Olympus Cabinet Locks

U.S. Patent No. D490,686 S

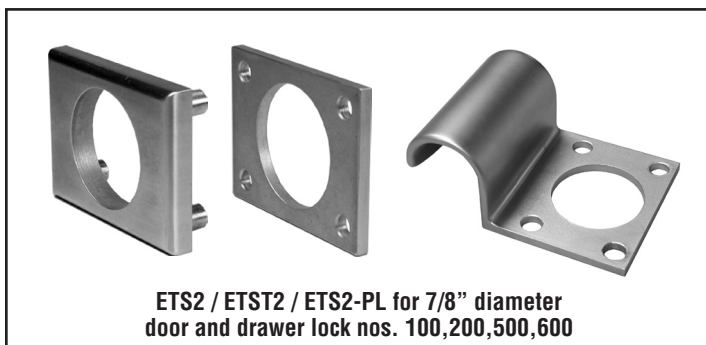
Our through-bolt trim spacers and templates provide added security and flexibility to our line of door and drawer cabinet locks. These items can be used in combination or separately to achieve a variety of configurations. The through-bolt mounting feature provides for increased security in particleboard applications.



Data Sheet



ETS1 / ETST1 / ETS1-PL for 1-1/8" diameter lock
nos. 700,721,754,777,800,850,854,888,931,950



ETS2 / ETST2 / ETS2-PL for 7/8" diameter
door and drawer lock nos. 100,200,500,600



ETS4 / ETS5 for 1-1/8" diameter door
and drawer lock nos. 777,888



ETS3 / ETST3 for 7/8" diameter door
and drawer lock nos. N078,R078



ETS6 / ETST6 for 7/8" diameter 4-way reversible
cabinet lock nos. 999,998,997,996

OLYMPUS
LOCK, INC.
The cabinet lock innovators.

18424 Highway 99 • Lynnwood, WA 98037
Phone 206-362-3290 • Toll-free 800-525-0954 • Fax 206-362-3569
www.olympus-lock.com • info@olympus-lock.com

ETS/ETST SERIES

External Through-Bolt Mounting Plates for Olympus Cabinet Locks

General Specifications

ETS - Reinforcing trim spacer

- External metal 1/8" or 1/4" reinforcing trim spacers allows for an attractive flush mounting of the cabinet lock face
- Increases security of installation through reinforcement of cabinet face and direct connection of lock mounting screws to Reinforcing Trim Spacer's binder posts
- Available in US3 and US26D finishes
- Includes mounting screws

ETST - Template for reinforcing trim spacer

- Allows for proper mounting hole placement of Reinforcing Trim Spacer
- Can be used as a 1/8" shim spacer
- Available in US3 and US26D finishes

For Olympus locks 700, 721, 754, 777, 800, 850, 854, 888, 931, 950

- ETS1-125 - 1/8" trim spacer
- ETS1-250 - 1/4" trim spacer
- ETS1-PL - Cabinet pull
- ETST1 - Trim spacer template

For Olympus locks 777, 888

- ETS4 - Trim spacer for 777
- ETS5 - Trim spacer for 888
- ETST1 - Trim spacer template

For Olympus locks 100, 200, 500, 600

- ETS2-125 - 1/8" trim spacer
- ETS2-250 - 1/4" trim spacer
- ETS2-PL - Cabinet pull
- ETST2 - Trim spacer template

For Olympus locks N078, R078

- ETS3 - Trim spacer
- ETST3 - Trim spacer template

For Olympus locks 999, 998, 997, 996

- ETS6 - Trim spacer
- ETST6 - Trim spacer template

