

# Product

## T37 Series

*T-Bolt Metal Drawer Lock  
National D4291 Keyway*

### Introducing... The T37 Series T-bolt Lock

*The industry's first easily rekeyable T-bolt lock  
for metal bank drawers.*

#### **Directly replaces National C8137!**

**Keyway:** Available in National D4291 (4-pin) keyway. KA, KD or MK.

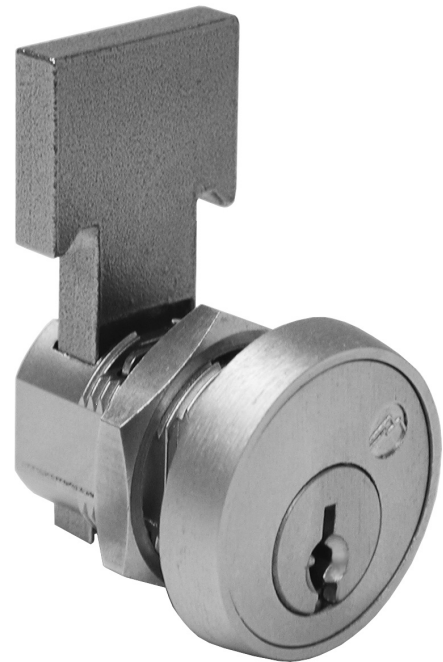
**Rekeyable:** Working top-slide, cylinder retainer staple and removable bezel ring make rekeying fast and easy. No more need to pry off faceplates and pin retainer clips.

**Stronger bolt:** Our stainless steel bolt will withstand repeated abuse without breaking.

**Retrofits:** National C8137.

**Mounting:** Ships standard with brass fixing nut.

**Spring clip:** Optional spring clip is available for clip mounting if desired. The lock comes standard with clip mounting locations for 0" to 11/64" material thicknesses.



**Looking for that hard to find key code for LeFebure,  
Diebold or Mosler? We've got you covered!**

**OLYMPUS**  
**LOCK, INC.**

*The cabinet lock innovators.*

18424 Highway 99 • Lynnwood, WA 98037  
Phone 206-362-3290 • Toll-free 800-525-0954 • Fax 206-362-3569  
[www.olympus-lock.com](http://www.olympus-lock.com) • [info@olympus-lock.com](mailto:info@olympus-lock.com)

# T37 SERIES

## T-Bolt Metal Drawer Lock National D4291 Keyway

### General Specifications

#### T37 Series T-Bolt Lock

**Rekeyable:** Easily rekeyable via working top slide and retainer staple cylinder removal mechanism

**Retrofits:** National C8137

**Body:** Zinc die cast

**Bolt:** Stainless steel

**For material:** 1/4"

**Barrel diameter:** 3/4"

**Across flats:** 5/8"

**Finish:** US26D (satin chrome)

**Cylinder:** National D4291 keyway

**Keying:** KA/KD/MK (4 pin), stock KA Nos. 101, 103, 107, 915 and 001 through 030. Master and/or custom keying available.

#### Available Separately

T37-RC - Spring mounting clip

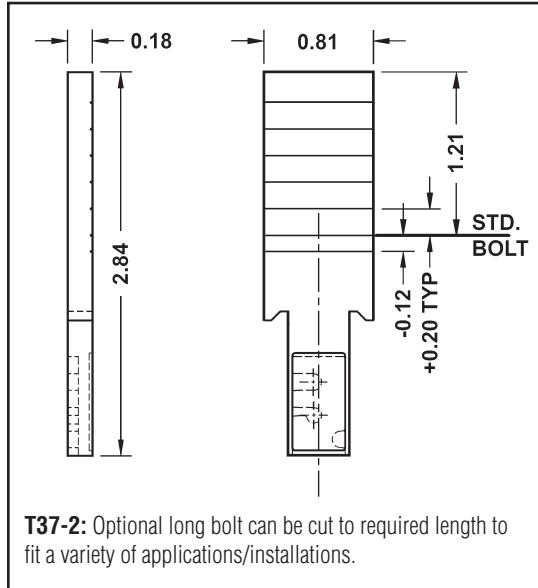
Use of spring clip allows lock to fit material thicknesses of 0" to 11/64"

T37-NKIT - Number ring package

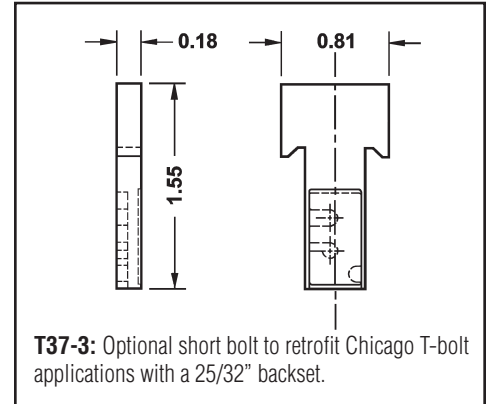
T37DC-NP - Number plate only

T37-2 - Long bolt

T37-3 - "Chicago-style" short bolt for 25/32" backset



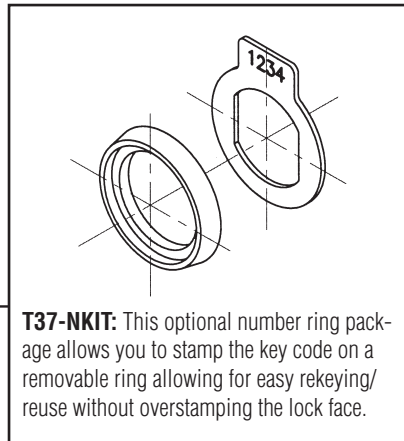
**T37-2:** Optional long bolt can be cut to required length to fit a variety of applications/installations.



**T37-3:** Optional short bolt to retrofit Chicago T-bolt applications with a 25/32" backset.

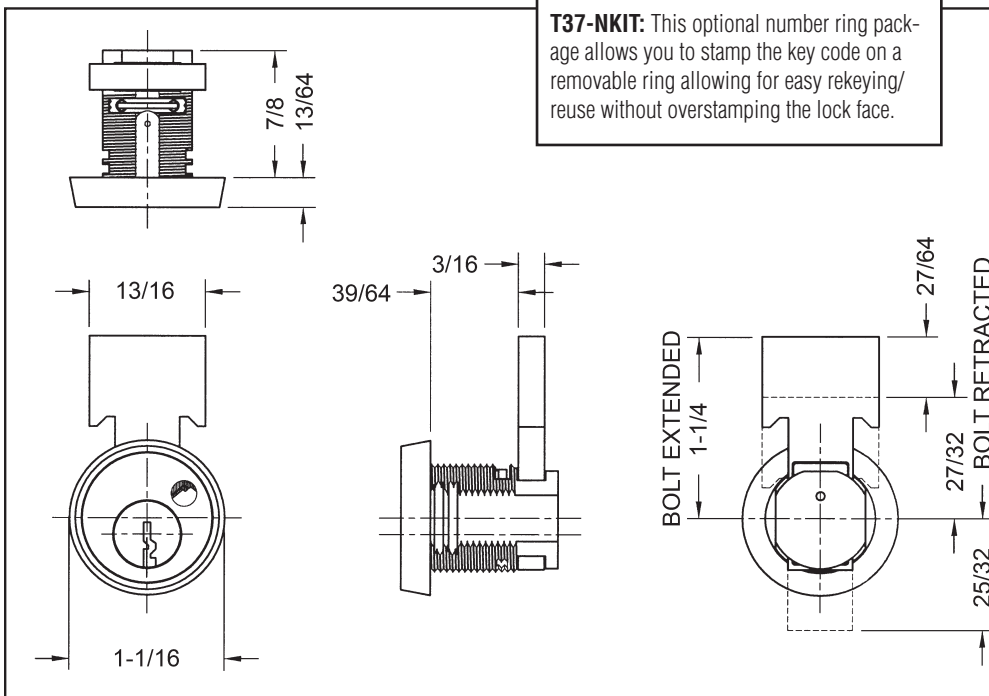


**T37-RC:** Optional spring mounting clip for 0" to 11/64" material thickness.



**T37-NKIT:** This optional number ring package allows you to stamp the key code on a removable ring allowing for easy rekeying/reuse without oversteamping the lock face.

### T37 Lock Dimensions



### T37 Mounting Dimensions

