

Newsletter

We are your cabinet lock innovators.

Las Vegas asked for a new cabinet lock and we made it! Introducing the world's only LFIC cabinet lock solution!

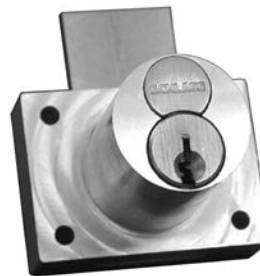
As used by:
**Luxor, Disney,
Phizer**

**777IC
777P
Door**



U.S. Patents
Pending

Cabinet lock body
only. Schlage core
not included.



**888IC
888P
Drawer**

777/888 cabinet locks integrate with door hardware using Schlage large format IC cores.

General features:

- Accepts Schlage-style large format interchangeable cores
- For material thickness: 7/8" to 1-7/16"
- Barrel diameter: 1-1/8"
- 26D or US3 finish
- Key-retaining function available, specify handing when ordering (see handing chart)
- Packed 10 per box

Includes:

- 10-350 plastic spacers (qty 3)
- 10-054 1/4" plastic bar strike
- 10-055 1/2" plastic bar strike
- 777-PA plastic actuator

Available separately:

- 10-052 slotted strikes
- TR78 trim ring
- Reinforcing trim spacers #ETS1/#ETS4/#ETS5 and template #ETST1 for through-bolt mount

777IC (Door) Series:

- Accepts Schlage Quad, Numbered Section, and Schlage Classic IC cores
- Accepts Keymark large format IC Cores
- Accepts Mul-T-Lock large format IC cores

777P (Door) Series:

- Accepts Schlage Primus® or Everest large format IC cores

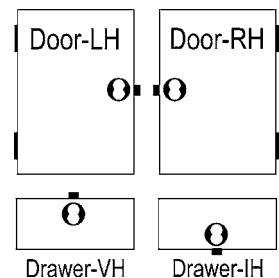
888IC (Drawer) Series:

- Accepts Schlage Quad, Numbered Section, and Schlage Classic IC cores
- Accepts Keymark large format IC Cores
- Accepts Mul-T-Lock large format IC cores

888P (Drawer) Series:

- Accepts Schlage Primus® or Everest large format IC cores

Key-Retaining Handing Chart



Don't miss an opportunity to sell the complete LFIC package!



2720 N.E. 115th Street
Seattle, WA 98125
206-362-3290 • 800-525-0954
FAX 206-362-3569

www.olympus-lock.com
info@olympus-lock.com

In This Issue

Product Spotlight:
777 / 888

Accessories for
777 / 888

Custom Plating
Services

Other Information

Product Spotlight: #777 / #888

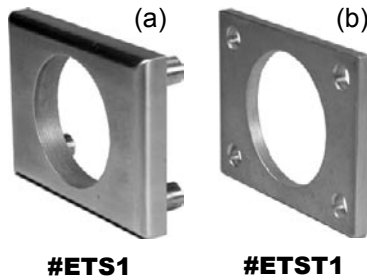
777/888 Optional Accessories

Reinforcing trim spacer (a)

- External metal 1/4" reinforcing trim spacer allows for an attractive flush mounting of the cabinet lock face
- Through-bolt mount increases security of installation through reinforcement of cabinet face and direct connection of lock mounting screws to external reinforcing trim spacer's binder posts
- Available in US3 and 26D finishes
- Includes mounting screws

Reinforcing trim spacer template (b)

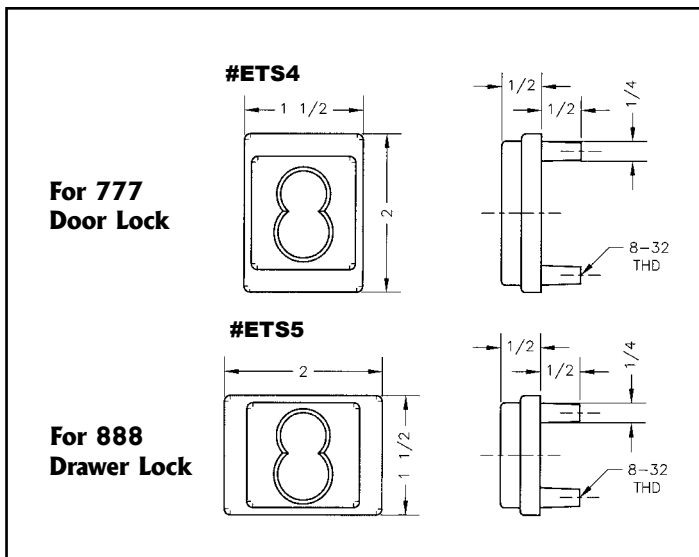
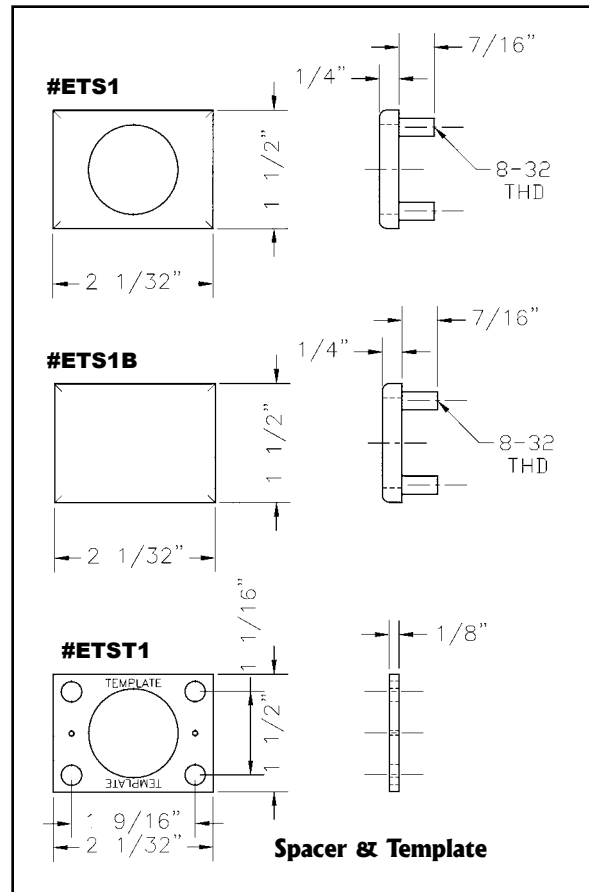
- Allows for proper mounting hole placement of external trim spacer
- Can be used as a 1/8" shim spacer
- Available in US3 and 26D finishes



Reinforcing trim spacers and templates increase security by providing through-bolt mounting of Olympus cabinet locks.

Reinforcing Trim Spacers/Templates

- **#ETS1** - Reinforcing trim spacer for use with 700, 721, 777, 800, 850, 888, 950
- **#ETS1B** - Reinforcing trim spacer (no hole) for use with #2LPD-SP lock cover and #2LPD-KEPR strike box keeper
- **#ETST1** - Reinforcing trim spacer template for use with 700, 721, 777, 800, 850, 888, 950
- **#ETS4** - Reinforcing trim spacer for use with 777 door locks
- **#ETS5** - Reinforcing trim spacer for use with 888 drawer locks



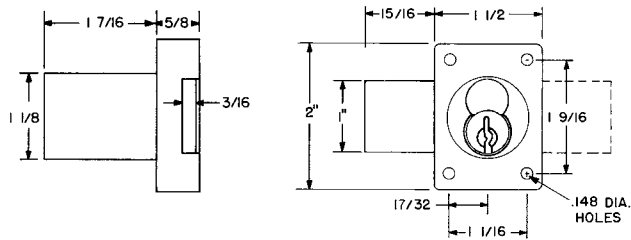
TOLL-FREE 800-525-0954

OLYMPUS
LOCK, INC.

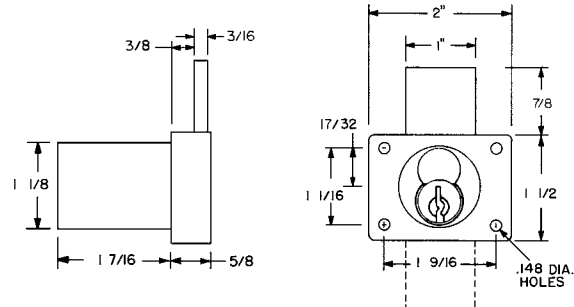
Product Spotlight: #777 / #888

777/888 Dimensions

777 - Door



888 - Door



777/888 Included Accessories

1/4" Plastic Bar Strike 10-054

- 1/4" tall plastic bar strike



Plastic Actuator 777-PA

- Plastic actuator to functionally test lock without core



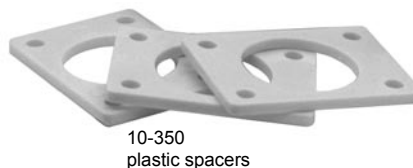
1/2" Plastic Bar Strike 10-055

- 1/2" tall plastic bar strike



Plastic Spacers 10-350

- 1/8" thick plastic spacers



Optional Trim Ring

Trim Ring TR78

- Trim ring for 1-1/8" diameter cabinet locks
- Available in 26D
- Fits Olympus 700/800/850/950/721/777/888 cabinet locks



Custom Lock Plating Services

Did you know that Olympus Lock is able to provide other finishes than those listed in our catalog?

We can custom plate your locks to variety of special finishes. Please contact your Olympus Lock representative or call us directly at 800-525-0954 to discuss your special plating needs today.

Custom or special finishes - add this amount to the regular list price:

Lock #100, #200, #300, #400, #500, #600, #999, #998, #997, #996	\$35.56 ea.
Lock #700, #800, #850, #950, #N078, #R078, #DCN, #DCR	\$26.67 ea.
Lock #720, #721, #725, #728, #CR1125, #777, #888	\$22.22 ea.

** Other items, call for quote.

TOLL-FREE 800-525-0954

OLYMPUS
LOCK, INC.

Other Information

Digital artwork available

Contact Beth Nielsen in the Olympus Lock marketing department for free digital photos or line art on CD-ROM. Our most recent catalog is also available on CD-ROM in PDF format.

Promotional ideas

Do you have a promotional idea involving Olympus Lock? Contact Beth Nielsen in the Olympus Lock marketing department to discuss your idea.

Current literature

Contact your Olympus Lock representative or call Olympus directly for the most recent version of our catalog and price list. Current editions are:

Full line catalog: August, 2003
Condensed catalog: June, 2003
Price list: May 1, 2003 - Revision 1A

Error correction: Please note the following error in our current catalog: Page 14: 777/888 locks. To work properly, Everest cores need to be installed in 777P and 888P locks not 777IC and 888IC locks.

Visit our website, link to our website

Looking to see if we have anything new? Visit our website. Our website is continually updated with the most current information and new products. Visit us at www.olympus-lock.com.

Olympus Lock, Inc.
2720 NE 115th Street
Seattle, WA 98125